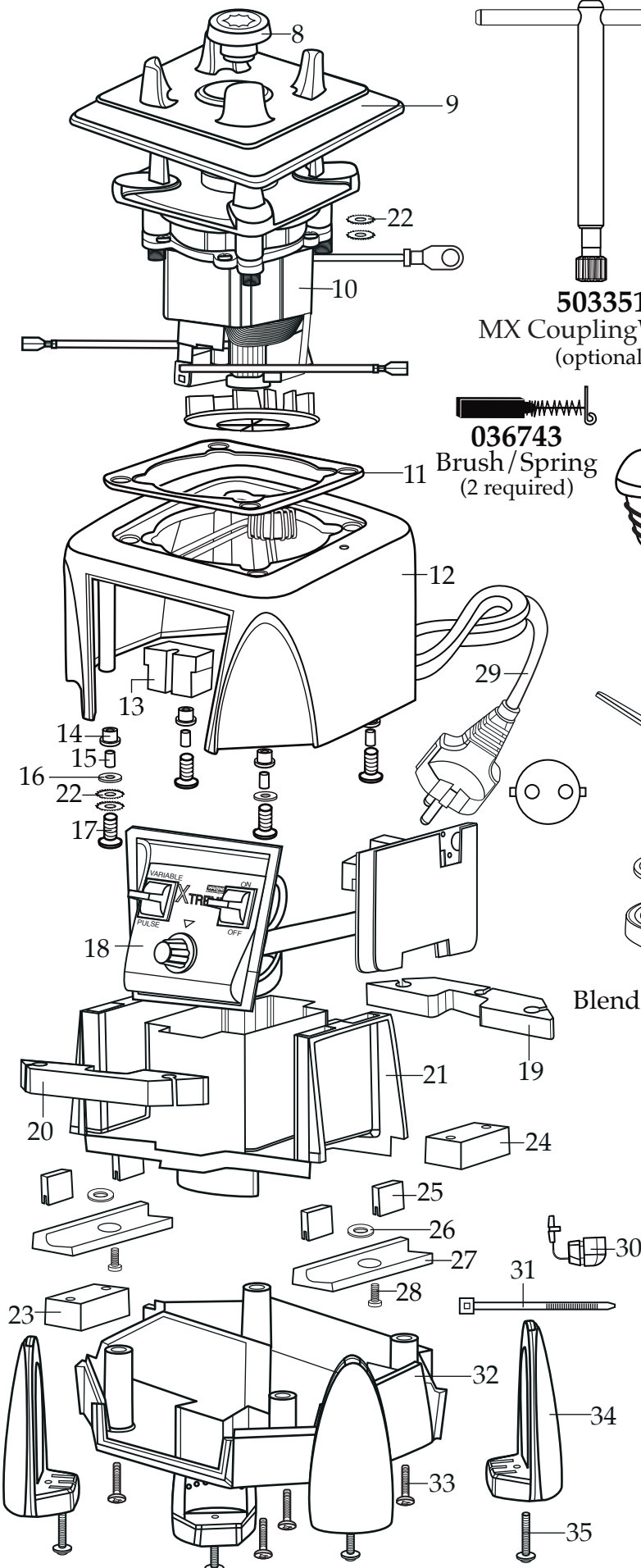
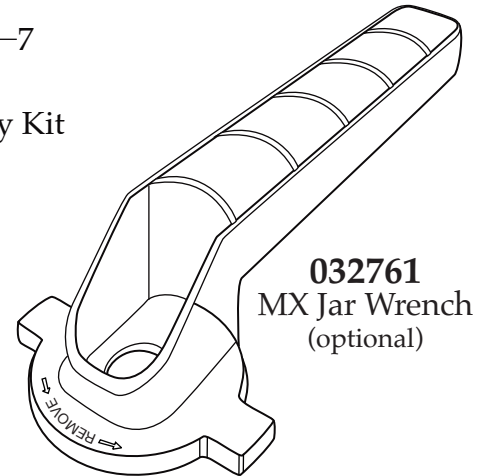
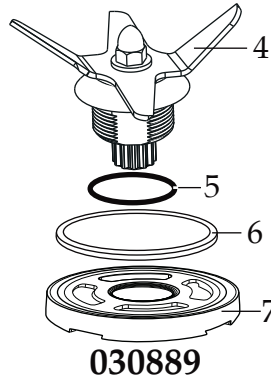
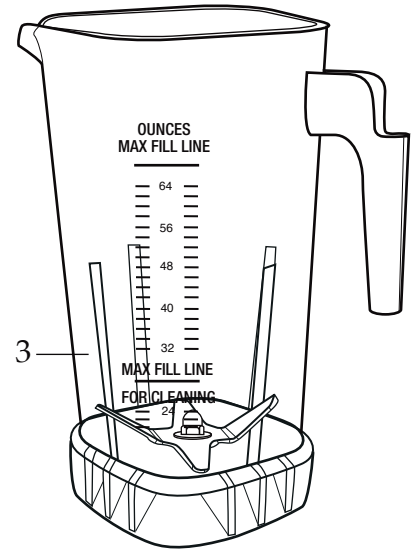
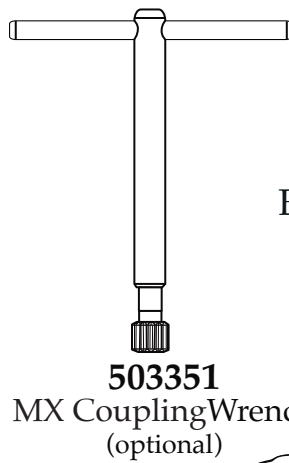


WARING COMMERCIAL

Europe Variable Speed Blenders with
64 oz. Stackable Raptor Container

MX1200TXEE MX1200TXSEE with Sound Enclosure



Date Code Location
YY|MM DD
year year|month month|day day

Catalog	Model
MX1200XTXEE	MX1200XT11CE
MX1200XTXSEE	MX1200XT12CE



Illustration#	Part#	Description
1	028769-E	Eastman Jar Lid Cover
2	028768	Jar Lid
3	503326	64 oz. Stackable Raptor Container ONLY
	503398	64 oz. Stackable Raptor with Blending Assembly
4	503397	Blade Assembly
5	024271	Bearing Holder O Ring
6	024268	Nut Gasket
7	029631	Bearing Holder Nut
8	503601	Sq. Drive Coupling with Adapter <i>(on units after 3/29/2022)</i>
	503604	Sq. Drive Coupling with Adapter 2 Gen. <i>(changed after 1/7/2021)</i>
	028538	Drive Coupling
9	026442	Jar Pad
10	035399	Leili Motor with Sensor <i>(on units after 7/20/2017)</i>
	028824	ECM Motor with Sensor <i>(use 035399 with kit 503382-E-67)</i>
11	038278	Dampening Plate Gasket <i>(on units after 8/25/2022)</i>
	026437	Dampening Plate Gasket
12	503382-E-67	MX Housings, Ferrite Core & Cord <i>(on units after 7/20/2017)</i>
	503382-E	MX Housings, Ferrite Core & Cord <i>(on units after 12/20/2013)</i>
13	028541	Motor Foam (2 required)
14	026439	Dampening Plate Bushing (4 required)
15	038486	Dampening Plate Sleeve (4 required <i>on units after 8/25/2022</i>)
	026453	Dampening Plate Sleeve (4 required)
16	026459	Washer (2 required)
17	028929	Sems (4 required)
18	036401	XPrep Control Panel with Interlock <i>(changed after 8/27/2018)</i> comes with switches-key board-main board-filter board
	035024	Xtreme Control Panel (use 036401)
	034123	XPrep Soft Start Control Panel <i>(on units after 12/20/2013)</i>
	028568	Xtreme Control Panel (use 035024)
19	028248	Top Housing Foam Rear Baffle
20	028249	Top Housing Foam Front Baffle
21	<i>Motor Housing is Included with Illustration# 12</i>	
22	002943	Washer (4 required)
23	028247	Bottom Housing Foam Baffle
24	028542	Foam Baffle
25	034900	PCB Cushion (4 required <i>on units after 7/18/2019</i>)
26	037232	Neoprene Washer (2 required <i>on units after 7/18/2019</i>)
27	037007	PCB Mounting Bracket (2 required <i>on units after 7/18/2019</i>)
28	013768	Screw (2 required <i>on units after 7/18/2019</i>)
29	<i>Cord is Included with Illustration# 12</i>	
30	007556	Strain Relief <i>(on units after 6/22/2018)</i>
	035384	Strain Relief <i>(on units after 3/29/2016)</i>
	007556	Strain Relief
31	013731	Cable Tie (3 required)

Catalog **Model**
 MX1200XTXEE MX1200XT11CE
 MX1200XTXSEE MX1200XT12CE

Waring Factory Service Center
 314 Ella T. Grasso Ave.
 Torrington, CT 06790
 Tele. 1-800-269-6640
 Fax 860-496-9017
 www.waringcommercialproducts.com

Illustration# Part# Description

- 32 Bottom Housing is Included with Illustration# 12
- 33 012505 Screw (4 required)
- 34 026430 Corner Post (4 required)
- 35 028928 Sems (4 required)

Parts No Longer Used

(Last used on 12/20/2013)

